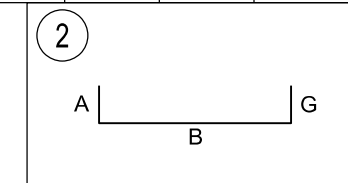
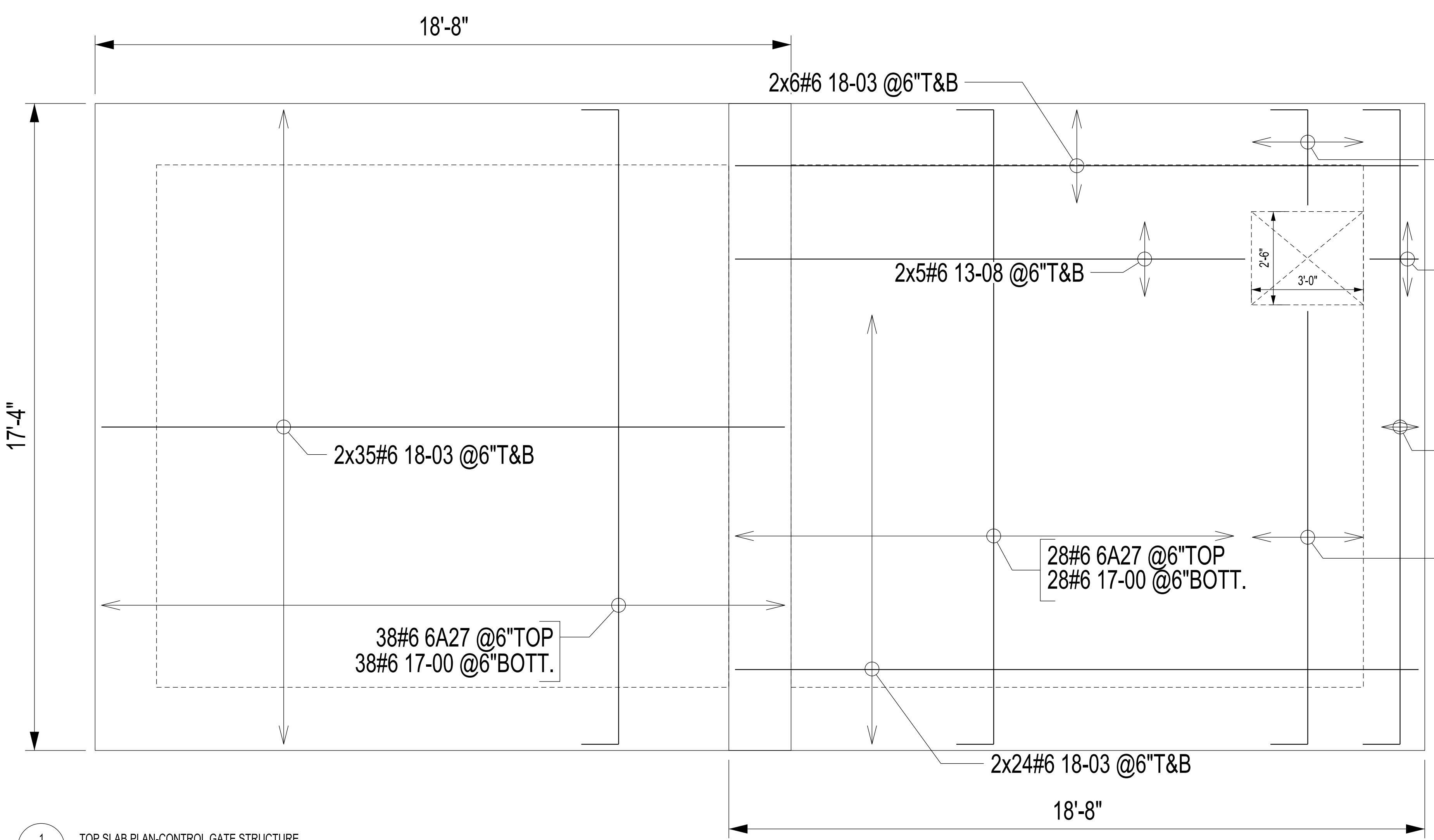


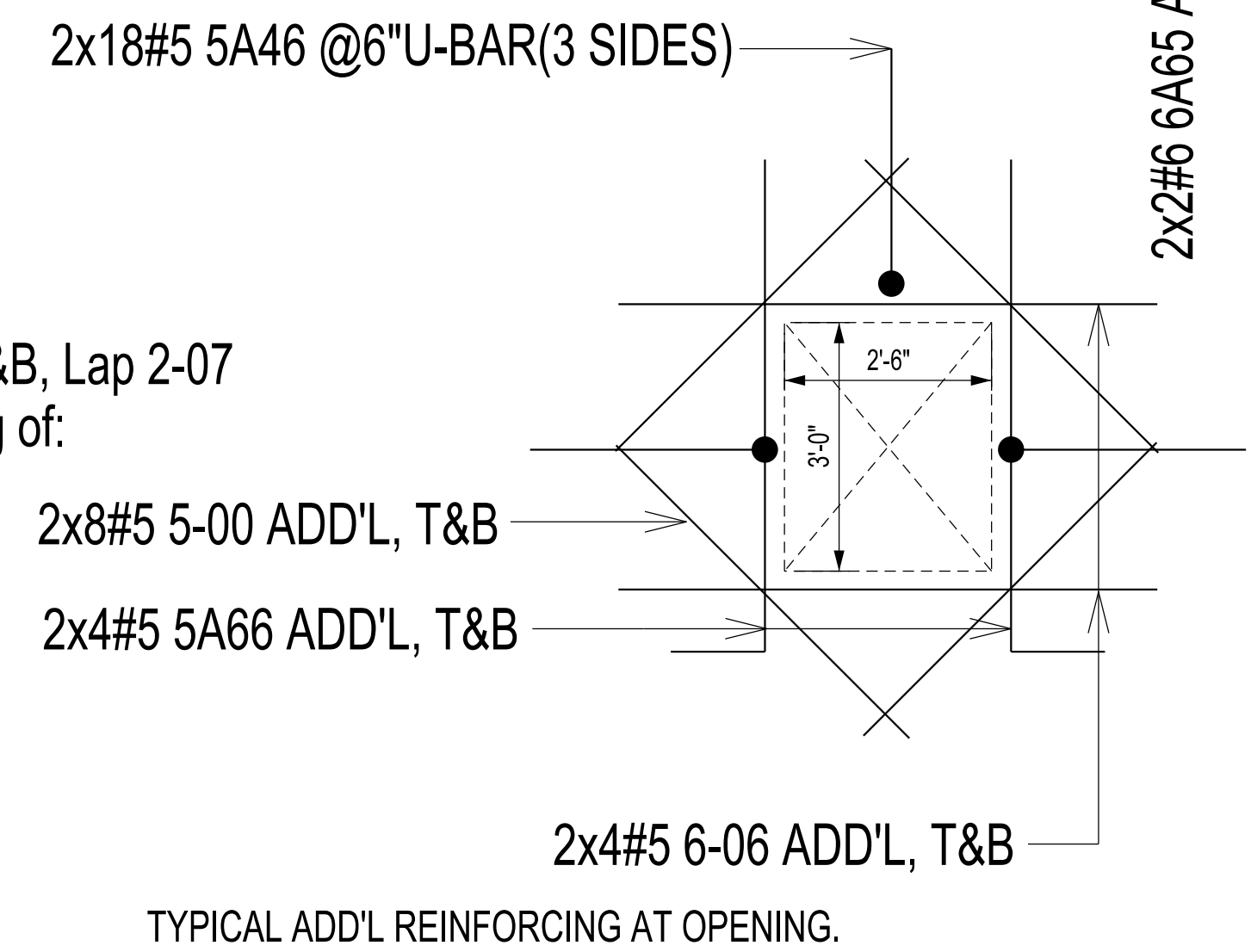
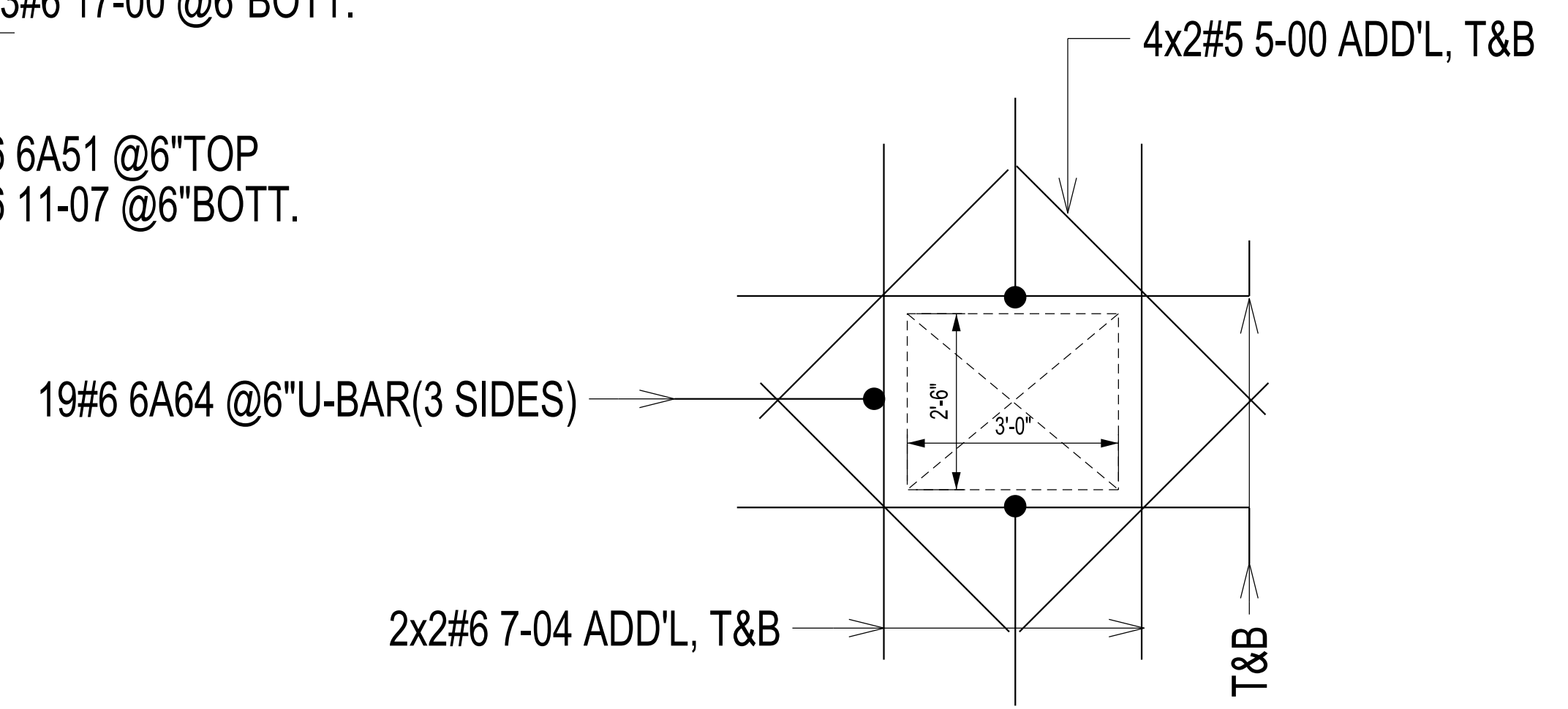
SI	ZE	EP	BAR MARK	V	BND TYP	CD	A	B	C	D	BENDING DIMENSIONS																	
							E	F/R	G	H	J	K	O															
6			6A27		2		1-00	17-00									1-00											
6			6A51		2		1-00	11-071																				
6			6A52		2		1-00	2-062																				
6			6A64		2		3-01	1-00																				
6			6A65		2		1-00	6-10																				
5			5A2		2		0-10	29-033																				
5			5A46		2		2-07	1-01																				
5			5A55		2		0-10	16-04																				
5			5A57		2		0-10	12-00																				
5			5A58		2		0-10	7-111																				
5			5A59		2		0-10	13-01																				
5			5A61		2		0-10	1-00																				
5			5A66		2		0-10	6-02																				



NOTE:
PLEASE CONFIRM THE SLAB OPENINGS SIZE.

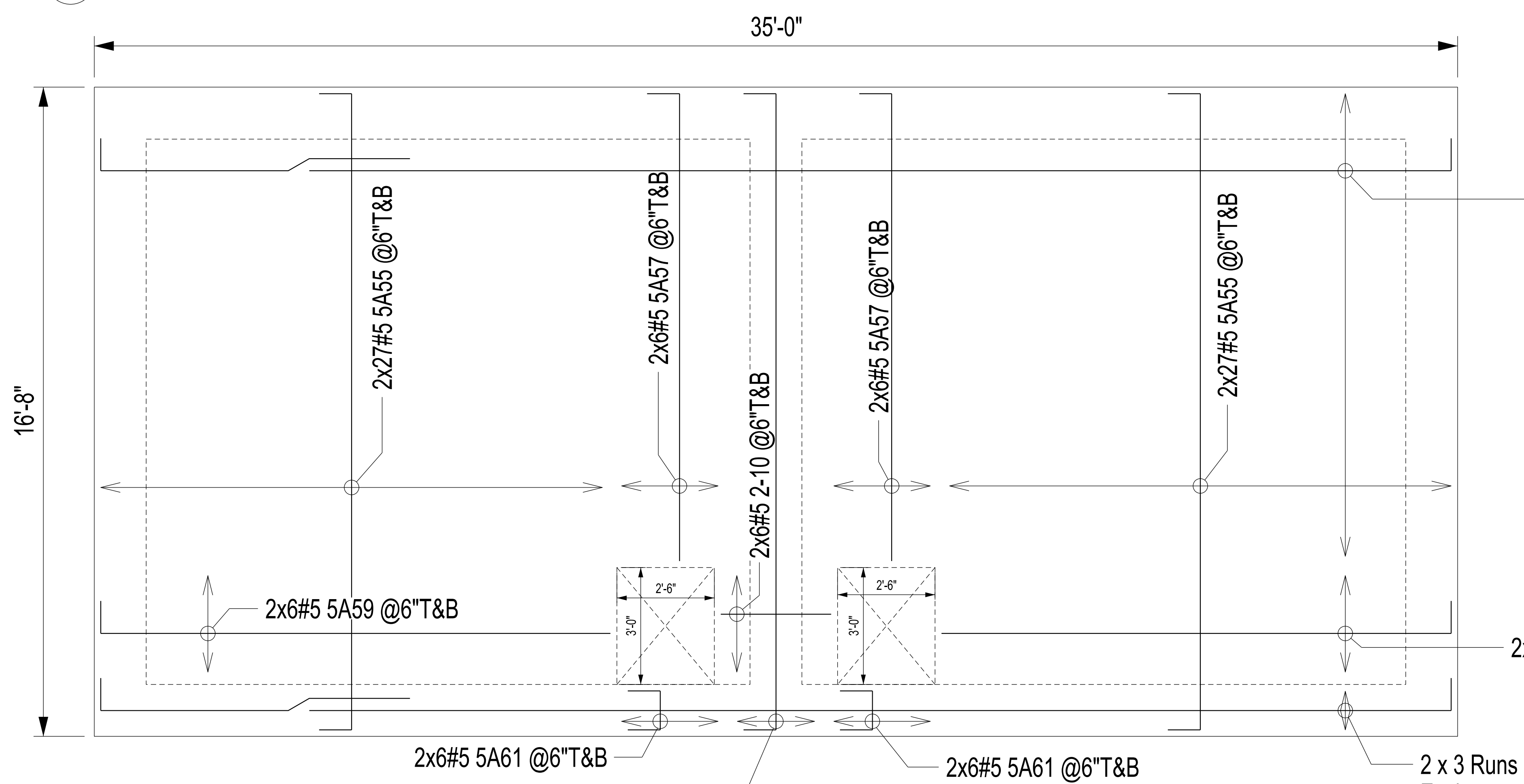


1 TOP SLAB PLAN-CONTROL GATE STRUCTURE
R103



2 x 25 Runs @6" T&B, Lap 2-07
Each run consisting of:
1#5 5A2
1#5 5A58

2 x 3 Runs @6" T&B, Lap 2-07
Each run consisting of:
1#5 5A2
1#5 5A58



1 TOP SLAB PLAN-INTERCEPTOR DIVERSION STRUCTURE
R103